



## 10AX Plate Switches



In creating the modern, aesthetically pleasing and ergonomic design of the CURVA range we did not lose sight of the need to produce a true value for money product offering the upmost appeal to installers and end users alike.

Only the best quality raw materials were used in producing this durable, attractive and modern range of accessories which will adorn the walls of all manner of buildings for years to come.

## 10AX Plate Switches

### Product Range

#### 10AX Plate Switches

<b>CCA010</b>	10AX 1 Gang 1 Way Plate Switch
<b>CCA011</b>	10AX 1 Gang 2 Way Plate Switch
<b>CCA012</b>	10AX 2 Gang 2 Way Plate Switch
<b>CCA013</b>	10AX 3 Gang 2 Way Plate Switch
<b>CCA019</b>	10AX 4 Gang 2 Way Plate Switch
<b>CCA105</b>	10AX 6 Gang 2 Way Plate Switch
<b>CCA025</b>	10AX Intermediate Plate Switch
<b>CCA027</b>	10AX 1 Gang 1 Way Retractive Switch "Bell"



CCA010, CCA011, CCA025



CCA012



CCA013



CCA027



CCA019

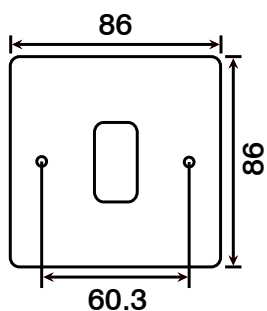


CCA105

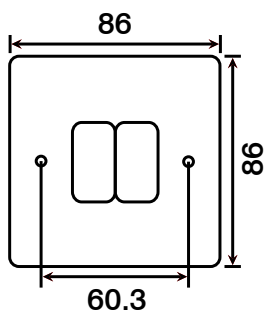
**10AX Plate Switches**

**Product Dimensional Drawings (mm)**

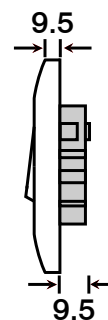
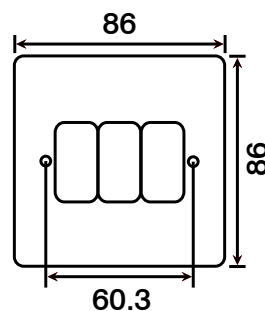
CCA010, 011, 025, 027



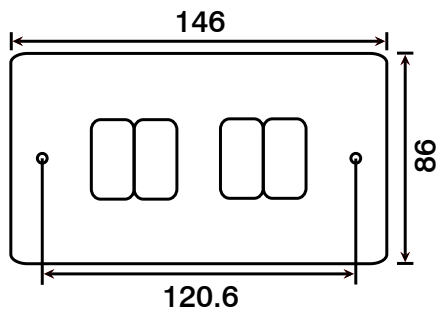
CCA012



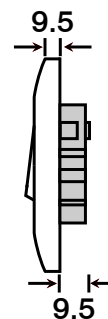
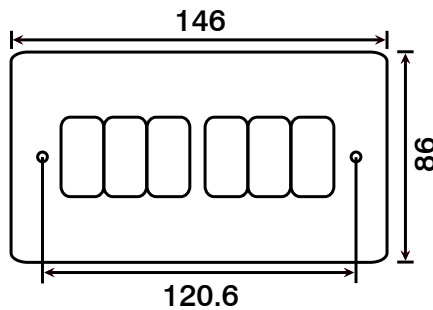
CCA013



CCA019



CCA105

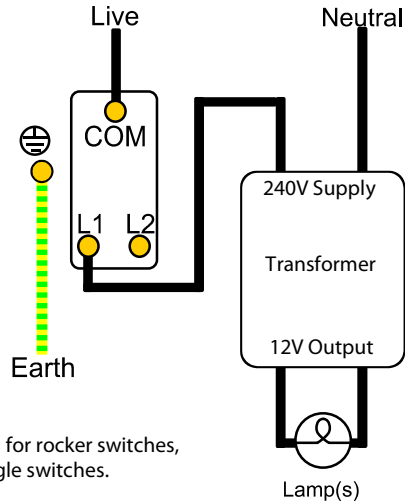
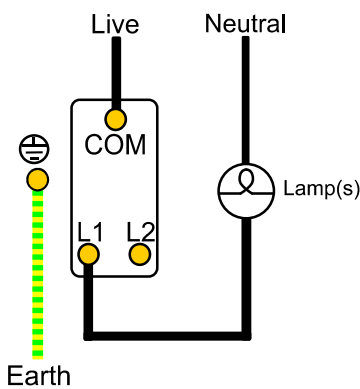


**10AX Plate Switches**

**Wiring Diagrams**

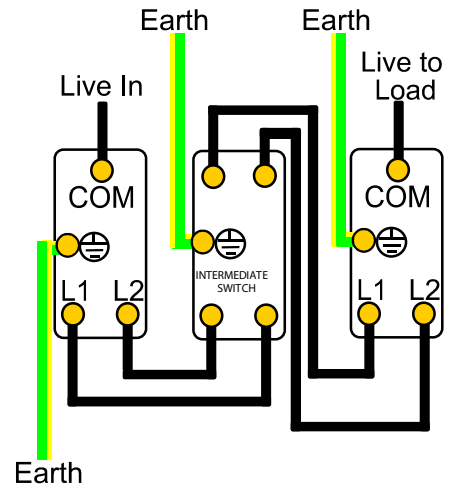
**1 - Way Switch Circuit**

Using 2 Way Rocker or Dimmer Switch with Tungsten Filament and 12V Lighting

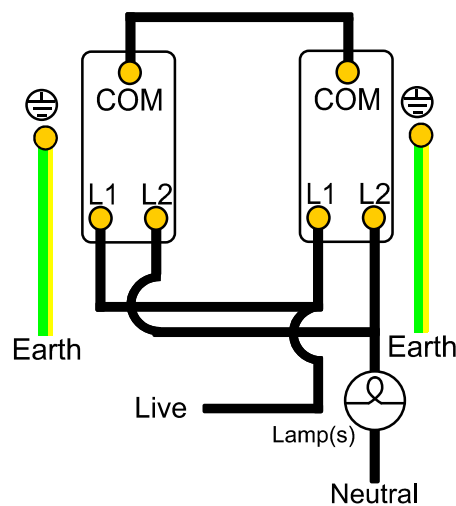
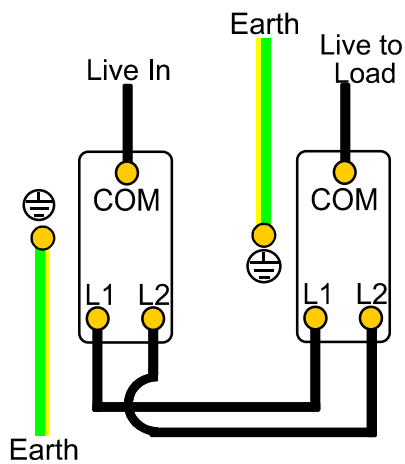


Minimum of 16mm Deep Back Box required for rocker switches, 25mm deep for dimmers and toggle switches.

**Intermediate Switch Circuit**



**Typical 2 - Way Switch Circuits**



Using Two 2 Way Rocker Switches or Replacing One with a 2 Way Dimmer Switch.

## 10AX Plate Switches

### Technical Specification

#### 10AX Plate Switches

<b>Material Composition</b>	Front Plate, Rocker Switch & Rear Housing: Urea Terminals: Brass Terminal Screws: Steel & Yellow Passivated Internal Mechanism: Formed Press Brass Silver “on-lay” Copper / Brass Contacts
<b>Voltage</b>	240V~ 50Hz
<b>Current Rating</b>	10AX (suitable for inductive loads)
<b>Terminal Size</b>	3.5mm ø
<b>Torque Value</b>	0.4Nm
<b>Cable Size</b>	4 x 1.5mm <sup>2</sup> or 2 x 2.5mm <sup>2</sup>
<b>Back Box Depth</b>	16mm - 47mm
<b>Modular</b>	Non-Modular
<b>Warranty</b>	10 Years
<b>Anti Microbial Certified</b>	Yes
<b>IP Rating</b>	IP20
<b>Operational Temperature</b>	-5° to +40°C
<b>Standards</b>	The Low Voltage Directive 2006/95/EC BS EN 60669-1:1999 + A1:2002 + A2:2008 Modified ISO 22196

### Additional Information

Ensure that the mains supply is isolated before commencing installation and refer to the circuit diagram with the relevant product.

Bare earth cables must always be covered with appropriate sleeving and wired to the earth terminal.

All white moulded accessories are manufactured using Urea Formaldehyde, which has similar inherent properties to antimicrobial additives that inhibit the growth of infectious diseases. All products were independently tested and achieved a 99.9% kill rate across all four types of the strains of bacteria - MRSA, E-Coli, Salmonella, and Klebsiella Pneumoniae.



DECLARATION OF CONFORMITY

1. *Issuer Name* Scolmore International Limited
2. *Issuer Address* 1 Scolmore Park, Landsberg,  
Lichfield Road Industrial Estate,  
Tamworth, Staffordshire, B79 7XB
3. *Object(s) of Declaration* Curva Range
- a. *Group* Switches
- b. *Model No.* CCA010, CCA011, CCA012, CCA013, CCA019, CCA105, CCA025,  
CCA027

4. *The object of the declaration described above is in conformity with the requirements of the following Legislations:*

Document No	Title
2006/95/EC	Low Voltage Directive

5. *All products contained within the aforementioned comply with the relevant standards and requirements listed below.*

EN 60669-1:1999 + A1:2002 + A2:2008

6. *I hereby declare that the equipment named above has been designed to comply with the relevant sections of the above referenced specifications. The unit complies with all applicable Essential Requirements of the Directives.*

*In conjunction with the above all manufacture and process controls are in accordance with ISO 9001:2008*

Signed, for and on behalf of: Scolmore International Limited

Steven Bettson BSc - Senior Technical Support Engineer

**CE 13**